

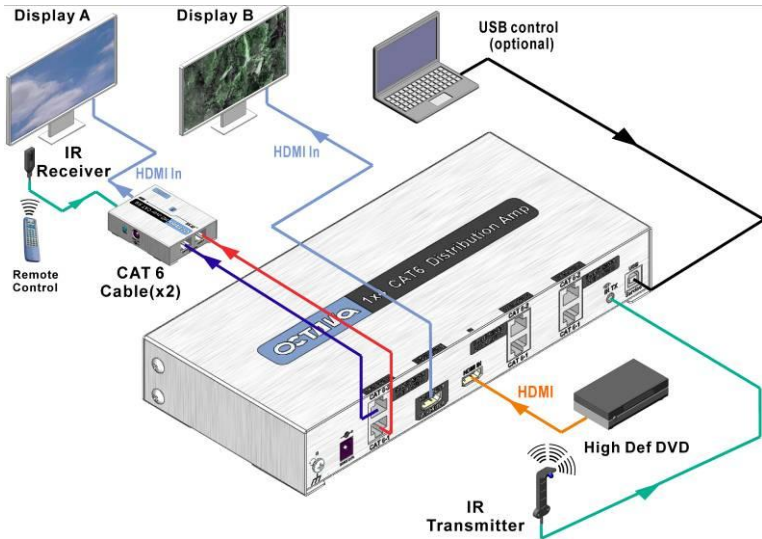


1x4 CAT6 Distribution Amp

Model: HD14CATDA
Installation Guide

Contents

Application Diagram.....	3
Features.....	3
Distribution amp Overview	4
Infrared Overview	5
Zone Receiver (RX) Overview.....	6
Identifying Zone Receiver (RX).....	7
Powering the PoC Zone Receiver	8
Powering non-PoC Zone Receiver	8
Ethernet cable recommendations.....	9
Ethernet cable installation recommendations.....	9
Installation.....	10
Front Panel Control.....	13
USB Service Port.....	13
1 RU Rackmount.....	14
Mounting Tabs.....	15
Warranty.....	15
Disclaimers.....	15
Specifications.....	16

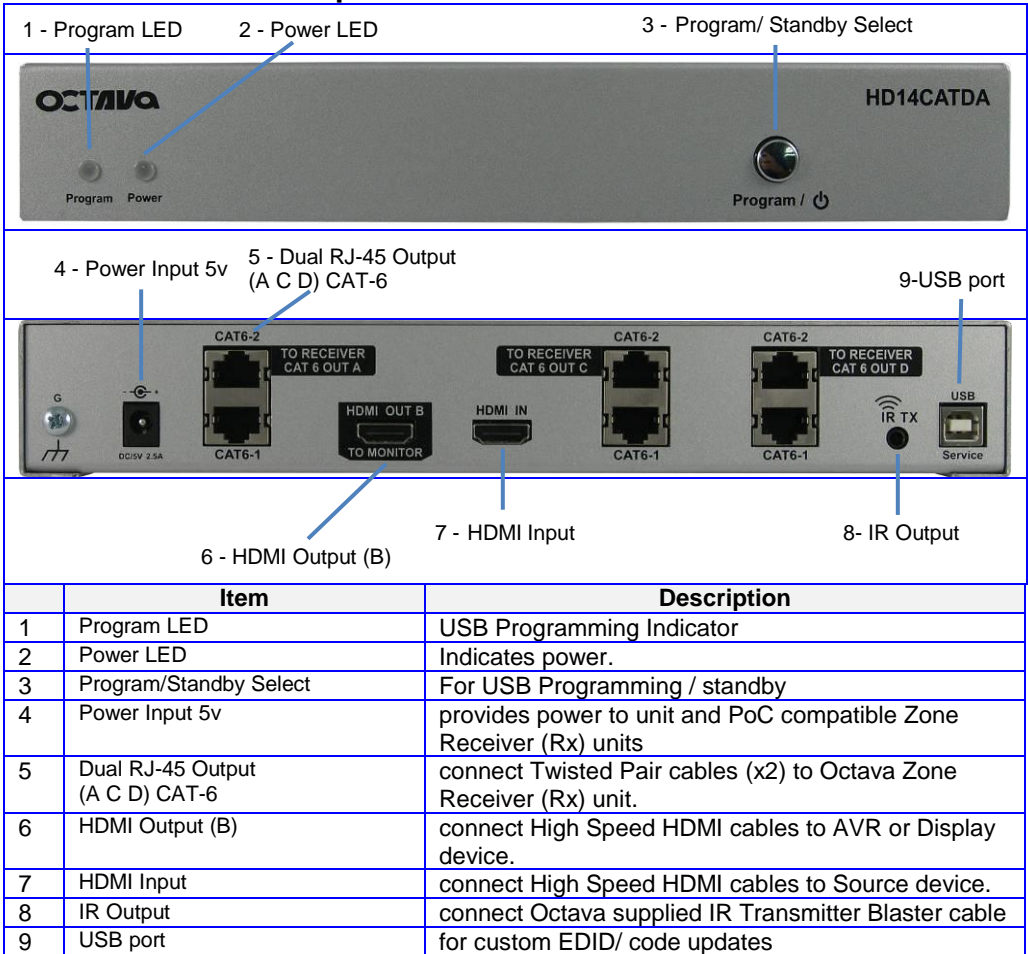


Application Diagram

Features:

- View HD Source on 4 Displays
- View HD Source on 3 'Remote display devices + 1 Local HDMI output.
- Supports 1080p24, 1080p60, 1080p50 plus current consumer 3D formats.
- 1 HDMI inputs
- 1 HDMI Output
- 3 Dual RJ-45 Extender Outputs.
- **Routed IR** from remote Zones to Source device.
- **PoC (Power over Cable)** to directly power in-room Zone receivers via RJ-45.
- **EDID Management** via USB service port.
- Rack mountable (1 RU) – mounting lugs supplied.
- Compatible with Octava PoC low profile In-room Receiver units.

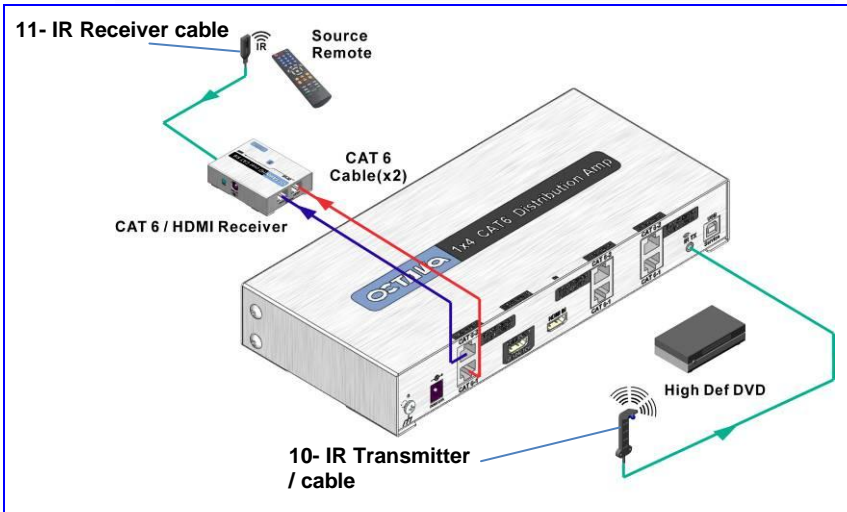
Distribution amp Overview:



	Item	Description
1	Program LED	USB Programming Indicator
2	Power LED	Indicates power.
3	Program/Standby Select	For USB Programming / standby
4	Power Input 5v	provides power to unit and PoC compatible Zone Receiver (Rx) units
5	Dual RJ-45 Output (A C D) CAT-6	connect Twisted Pair cables (x2) to Octava Zone Receiver (Rx) unit.
6	HDMI Output (B)	connect High Speed HDMI cables to AVR or Display device.
7	HDMI Input	connect High Speed HDMI cables to Source device.
8	IR Output	connect Octava supplied IR Transmitter Blaster cable
9	USB port	for custom EDID/ code updates

Infrared Overview:

-IR can be Routed from any of the connected Zones back to the amp to control Source devices.



<p>10-IR Transmitter cable</p>	<p>11-IR Receiver cable</p>
<p>connect to IR Output</p>	<p>connect to IR Input on Octava Zone Receiver (Rx) unit.</p>

Step	IR Installation
1	Connect an Octava supplied IR Receiver cable to each Zone Rx unit.
2	Connect an Octava supplied IR Blaster cable to the IR Output Port on the Octava Distribution amp and position the Blaster Head over the IR Receiver window on the connected Source device.





Zone Receiver (RX) Overview:

A Zone Rx unit is positioned close to your Display device and connected to the Octava Amp via 2xTwisted Pair (CAT5 or CAT6) cables. Connect the Rx unit to your Display device using a short High Speed HDMI cable.

Before you begin your system installation please ensure you identify which type of Octava Rx unit you are working with – PoC, non-PoC. Refer to section: “Identifying Zone Receiver (RX)”

PoC (Power over Cable) Rx units are powered from the Matrix

non-PoC Rx units require a local 5V power supply

	<p>12-Power Indicator</p> 
 <p>13- CAT 6 Input</p>	 <p>14- HDMI Out to HDTV 15- IR receiver input</p>

	Item	Description
12	Power Indicator	indicates Rx is receiving power
13	RJ-45 Input (1-2).	connect to CAT6 Out (-1 -2) on Zones A-D of Octava Distribution amp
14	HDMI Out to HDTV	connect to HDTV using High Speed HDMI cable
15	IR receiver	connect Octava supplied IR Receiver cable.



Identifying Zone Receiver (RX)

The Octava amp features **Power Over Cable (PoC)**. PoC enables the ampt to power the PoC Zone Receiver units directly.

Before you begin your system installation please ensure you identify which type of Octava Rx unit you are working with – PoC, non-PoC.



PoC Zone Receiver:

The Octava Amp should include CAT 6 receivers with PoC. (power over cable). Please verify by inspecting the first 6 serial number and confirm it is: **RXH3IR**

PoC Zone Receivers:			
	Serial Number		
PoC ✓	RXH3IRXXXXXX		

NON- PoC Zone Receiver (RX):

The Zone Receivers in the following table **do NOT** have PoC. capability.



non PoC			
	Serial Number		
NO PoC ✗	RXH1RXXXXXX		
NO PoC ✗	RXH21RXXXXXX		

If you are unsure or need assistance, please contact us.

Powering the PoC Zone Receiver:



Power Over Cable (PoC) enables the Amp to power the PoC Zone Receiver units directly.

PoC – Zone Rx is powered via the connected Twisted Pair cables (CAT5 or CAT6) from the Octava Amp.

Distribution amp Power Port	PoC Zone Receiver
 <p data-bbox="183 660 557 719">connect Octava supplied power supply (5V, 2.5A)</p>	 <p data-bbox="661 655 930 715">local power supply not required.</p>

Powering non-PoC Zone Receiver:

non-PoC – Zone Rx is powered by a local 5V PSU connected to the Power Socket on the Rx unit.

Distribution amp Power Port	non-PoC Zone Receiver
 <p data-bbox="150 1209 524 1268">connect Octava supplied power supply (5V, 2.5A)</p>	 <p data-bbox="572 1214 922 1273">connect Octava supplied 5V PSU to Rx unit power socket</p>

If you are unsure or need assistance, please contact us.

Ethernet cable recommendations:







Using Shielded, Stranded CAT6 or CAT7 cable will ensure maximum signal integrity plus optimum rejection of external interference.

UTP CAT5 and CAT6 cables can be used with your Octava system though they may result in limiting the maximum attainable distance between the Amp and the Rx unit when running HD signals.

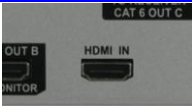

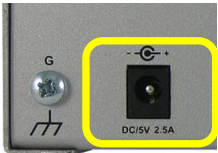
	Cable Type	Note
1	CAT 7 cable is recommended	Best
2	Shielded CAT 6 cable is recommended	Good
3	UTP CAT 6 cable	For short links 50ft or less.
Use EIA/TIA-568-B standard when terminating your CAT5, CAT6 or CAT7 cables.		

Ethernet cable installation recommendations:

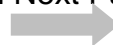
Use your cable suppliers recommended RJ-45 connector/crimp tool with your CAT5, CAT6 or CAT7 cables and ensure you pay particular attention to the quality of the termination on all cables.

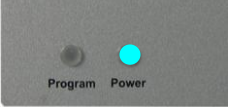
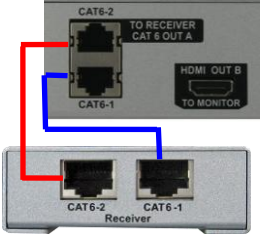


DO/Recommend	
	Use shielded CAT 6 or CAT 7 with good RJ-45 terminators
	Use a direct cable connection between the Matrix and Receiver unit.
DO NOT	
	Do Not connect thru Ethernet switches or routers
	For optimum signal integrity avoid passing your signals though any form of Patch-panel, Wall-plate or punch-down terminations
	Do Not connect cables thru extraneous RJ-45 couplers, wall plates.
	Do Not tightly coil /loop the Ethernet cables

Installation:



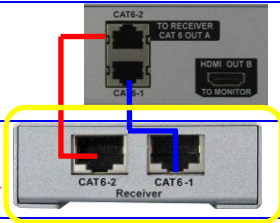


Step		
0	<ul style="list-style-type: none"> • Disconnect ALL cables from the Distribution amp / Zone Receivers • Power OFF all HDTV/Displays/Audio Receivers • Power OFF all Video Sources • Power OFF Distribution amp • Power OFF Zone Receivers 	
1	Connect HDMI source to HDMI IN	
<p>Connecting Output with HDMI cable</p>		
2	If you are connecting with HDMI cable: Connect HDMI cable to HDMI output B and HDTV	 <p style="text-align: center;">HDMI Out</p>
<p>Connecting Output with Ethernet cables</p>		
3	Verify that the Zone Receiver you have supports PoC (See page 7)	IF your Zone Receiver are non PoC proceed to Alternative steps A1-A7. (Skip to page 12)
4	Connect the 5VDC power supply to the DC/5V port of the Amp.	

CONTINUE on Next Page



5	Verify the Distribution amp Power LED turns on.	
6	<p>Connect <u>CAT6 -1</u> of Amp and Receiver with CAT 6 cable.</p> <p>Connect <u>CAT6 -2</u> of Amp and Receiver with CAT 6 cable.</p>	
7	<p>Verify the Power LED Indicator is On.</p> <p><i>If not, please check your connections.</i></p>	
8	Connect HDMI output of Receiver to HDTV	 <p style="text-align: center;">To HDTV</p>
9	<p>Install I.R. receiver cable.</p> <p>Install I.R. transmitter cable</p>	See page 5 “infrared overview”
10	<p>Power ON HDTV</p> <p>Power ON Source</p> <p>Done.</p>	

If you are unsure or need assistance, please contact us.

Alternative Steps A1-A7 are only for installations with non PoC Zone Receivers.		
A1	Connect the 5VDC power supply to the DC/5V port of the Amp.	
A2	Verify the Distribution amp Power LED turns on.	
A3	Connect <u>CAT6 -1</u> of Amp and Receiver with CAT 6 cable. Connect <u>CAT6 -2</u> of Amp and Receiver with CAT 6 cable. Non PoC receiver →	
A4	Connect 5 V power to the Zone Receiver Verify the Power LED Indicator is On.	 Connect to 5V power supply
A5	Connect HDMI output of Receiver to HDTV	 To HDTV
A6	Install I.R. receiver cable. Install I.R. transmitter cable	See page 5 “infrared overview”
A7	Power ON HDTV Power On Source Done.	

If you are unsure or need assistance, please contact us.

Front Panel Control:



USB Service Port:

The USB port is for service if needed. Contact us for this feature.



If necessary, you may program to different EDID mode using the USB port. Contact us for this feature or visit the following link for more info: www.octavainc.com/support_and_updates.html



1 RU Rackmount :

The unit can be installed in a 1 RU rack by simply installing the rack mounts included.



Mounting Tabs

The unit includes removable wall mounting tabs. The wall mounting tabs can be removed if not needed

	wall mounting tabs installed
	Wall mounting tabs can be removed if not needed.

Warranty

Octava warrants the equipment purchased to be free from defects in material and workmanship under normal use and service for a period of 1 year. In the event applicable law imposes any implied warranties, the implied warranty period is limited to 1 year from the date of receipt.

If Octava's equipment fails because of defects (1) year from the date of receipt, Octava will at its option, A) repair or replace the equipment, or B) request return of equipment for refund of the price paid for the product provided that the equipment has not been subjected to mechanical, electrical or other abuse or modifications.

Proof of sale required to claim warranty.

Disclaimers

IN NO EVENT SHALL OCTAVA'S OR ITS SUPPLIER'S LIABILITY FOR ANY CLAIM WHATSOEVER EXCEED THE COST OF THE PRODUCTS GIVING RISE TO THE CLAIM, WHETHER BASED IN CONTRACT, WARRANTY, INDEMNITY OR TORT (INCLUDING, WITHOUT LIMITATION, NEGLIGENCE AND STRICT LIABILITY) OR OTHERWISE. IN NO EVENT SHALL OCTAVA INC. OR ITS SUPPLIERS BE LIABLE FOR ANY SPECIAL, INCIDENTAL, CONSEQUENTIAL OR OTHER INDIRECT DAMAGES (INCLUDING, WITHOUT LIMITATION, LOSS OF REVENUES, PROFITS OR OPPORTUNITIES), HOWEVER CAUSED, ON ANY THEORY OF LIABILITY, WHETHER OR NOT OCTAVA INC HAS BEEN ADVISED OF THE POSSIBILITY OF SUCH DAMAGES.

WHILE EVERY PRECAUTION HAS BEEN TAKEN IN THE PREPARATION OF THIS MANUAL, OCTAVA ASSUMES NO RESPONSIBILITY FOR ERRORS OR OMISSIONS. IN NO EVENT WILL OCTAVA ASSUME ANY LIABILITY FOR DAMAGES RESULTING FROM THE USE OF THE INFORMATION CONTAINED HEREIN.

OCTAVA RESERVES THE RIGHT TO CHANGE THE SPECIFICATIONS, FUNCTIONS OR CIRCUITRY OF THE PRODUCT WITHOUT NOTICE.

Description	Specifications
Model	HD14CATDA
HDMI Inputs	1
HDMI Outputs	1
RJ-45 CAT Dual output	3
Video Resolution	480 P, 720 I/P, 1080 I/P
Vertical Frequency Scan Rate	24 / 50 / 60 Hz
Dimension	10.49 x 4.9 x 1.67 inch (266.4 x 124.7 x 42.3 mm)
DC adapter (included)	5VDC, 2.5A
Rackmount capable	1RU, Rack mounts included

For Questions and support:

Email : info@octavainc.com

URL: www.octavainc.com

Copyright© 2012 Octava Inc. All rights reserved.
HDMI, the HDMI logo and High-Definition Multimedia Interface are trademarks or registered trademarks of HDMI Licensing LL.C
All trademarks are the sole property of their respective companies

Rev.A